

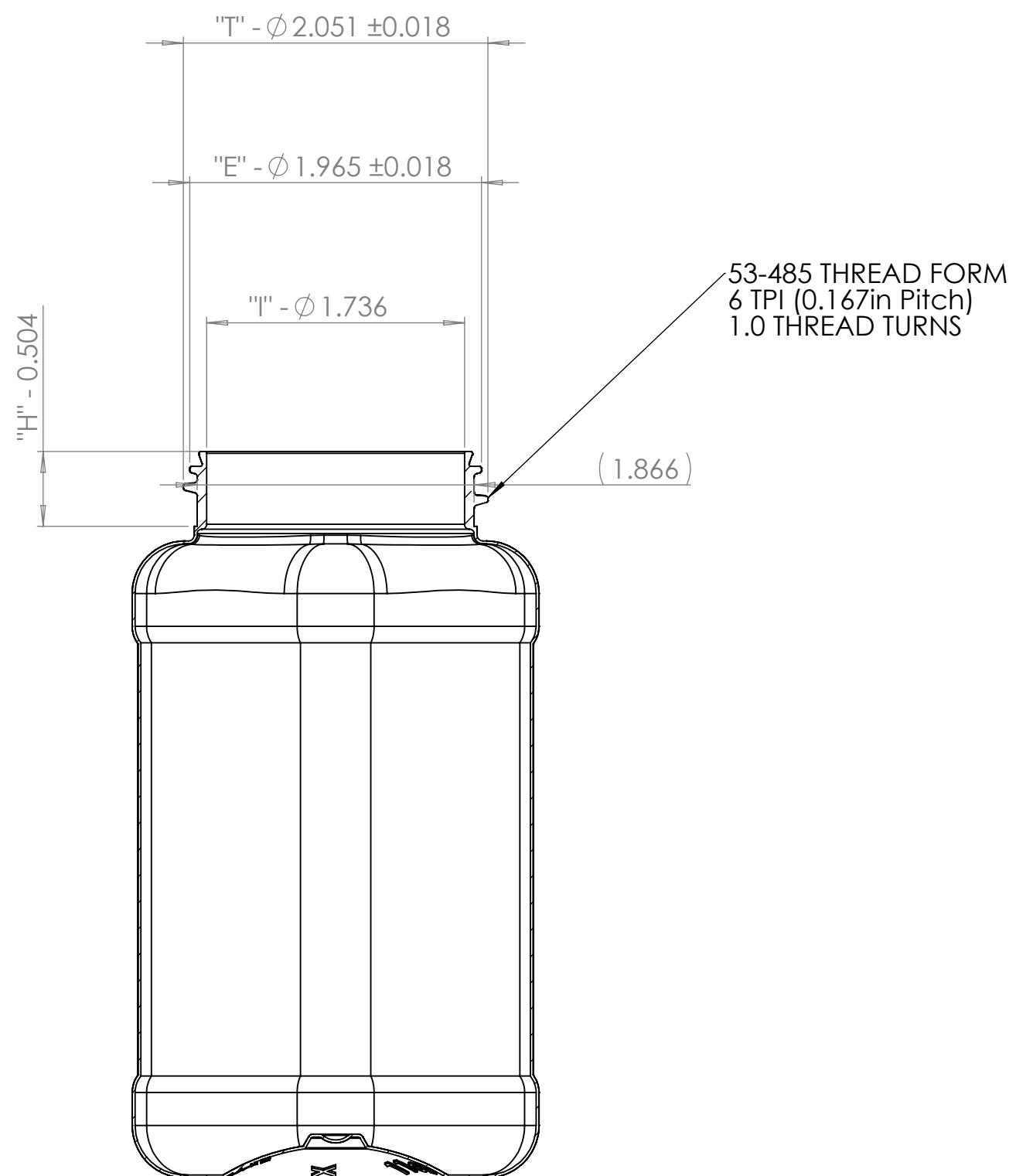
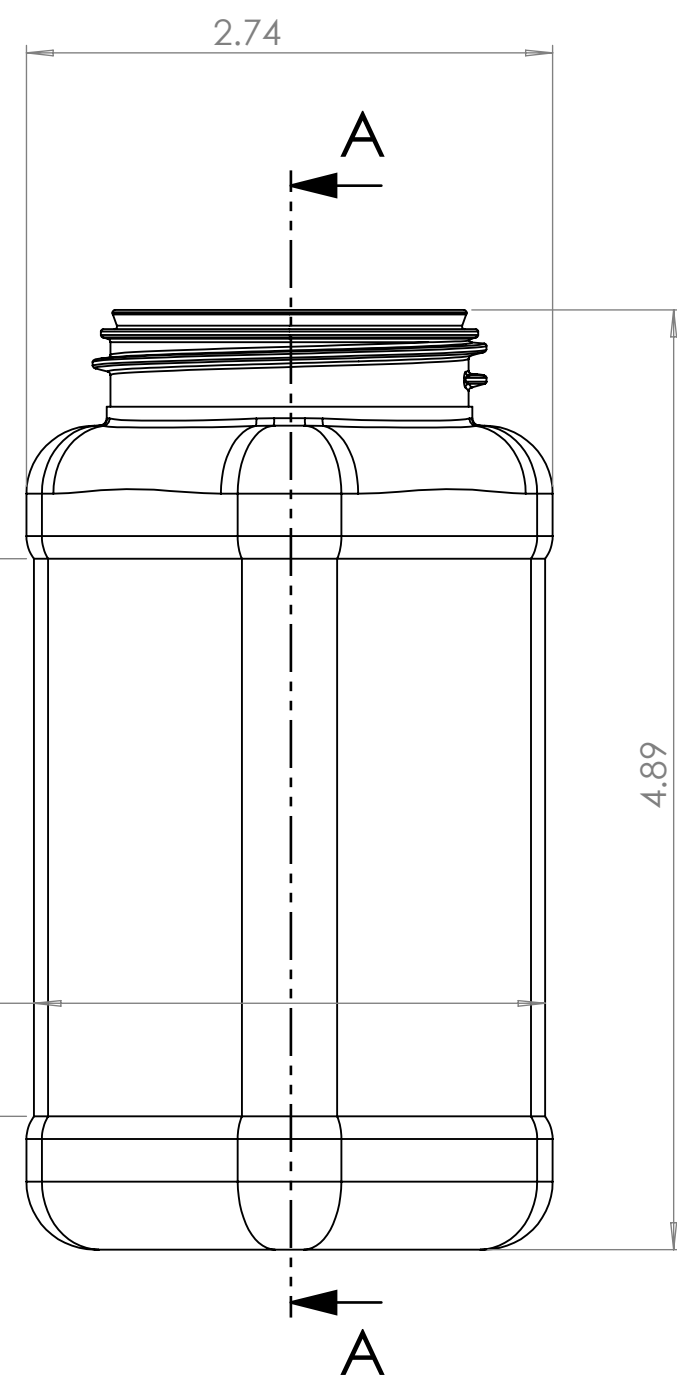
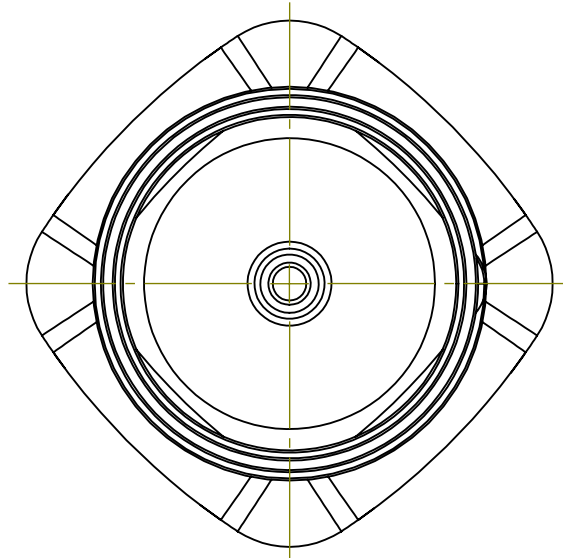
4

3

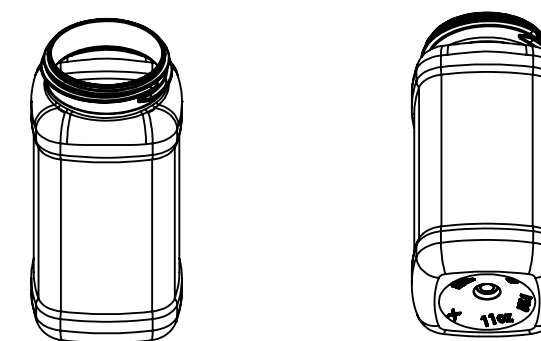
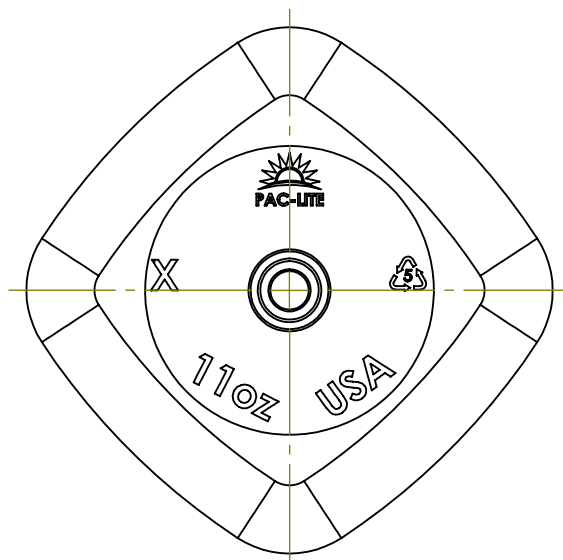
2

1

REV	DATE	DESCRIPTION
0	11/20/2025	DRAWING CREATED
1	04/06/2026	REV ADDED LABEL DIMS



SECTION A-A



PROPRIETARY AND CONFIDENTIAL
 THE INFORMATION CONTAINED IN THIS DRAWING IS THE SOLE PROPERTY OF PHARMACY-LITE. ANY REPRODUCTION IN PART OR AS A WHOLE WITHOUT THE WRITTEN PERMISSION OF PHARMACY-LITE IS PROHIBITED.

UNLESS OTHERWISE SPECIFIED:		NAME	DATE	PAC-LITE	
DIMENSIONS ARE IN INCHES	DRAWN	BC	11/20/25	250 Warden Ave., Elyria, OH 44035	
TOLERANCES:	CHECKED			844-527-5483	
FRACTIONAL: $\pm 1/32$	ENG APPR.			TITLE:	
ANGULAR: MACH $\pm 0.1^\circ$	MFG APPR.			SPICE JAR - 11oz SQUARE	
BEND $\pm 2.5^\circ$	Q.A.			COMMENTS:	
TWO PLACE DECIMAL ± 0.015	CUSTOMER DRAWING			SIZE	DWG. NO.
THREE PLACE DECIMAL ± 0.005				C	SJ-11SQ/P000CD
INTERPRET GEOMETRIC TOLERANCING PER:				REV	1
MATERIAL				SCALE: 1:1	WEIGHT:
POLYPROPYLENE					SHEET 1 OF 1
FINISH					
APPLICATION	DO NOT SCALE DRAWING				

4

3

2

1